

SERVICE MANUAL

US Model



SPECIFICATIONS

| | |
|--------------------------|---|
| Motor and Platter | |
| Drive system | Belt-drive |
| Motor | DC servo motor |
| Platter | 18.5cm, molded aluminum alloy |
| Speeds | 33 $\frac{1}{3}$ and 45 r/min, 2 speed |
| Wow and flutter | Less than 0.25% (WRMS) |
| Signal to noise ratio | More than 45 dB (DIN-B) with supplied cartridge |

| | |
|----------------------|--|
| Tone Arm | |
| Type | Static balanced integrate straight arm |
| Effective arm length | 204 mm |

| | |
|--------------------|--|
| General | |
| Power requirements | 120V AC, 60 Hz |
| Power consumption | 5 W |
| Dimensions | Approx. 280 x 87 x 314 mm (w/h/d) (11 x 3 $\frac{7}{16}$ x 12 $\frac{3}{8}$ inches) |
| Mass | 2kg (4 lb 6 oz) |

| | |
|-----------------------------|--|
| Supplied Accessories | |
| 45 r/min adaptor (1) | |
| Rubber mat (1) | |

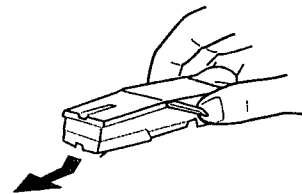
Replacing the Stylus

The life expectancy of the stylus tip is about 400 hours. To preserve maximum sound quality and avoid damage to your records, we recommend replacing the stylus within this time limit.

Additional replacement styli (CN-234) are available from your Sony dealer.

To replace the stylus

- 1 Turn off the amplifier.
- 2 While holding the cartridge, detach the stylus assembly as illustrated.
- 3 Insert the new stylus into the cartridge.



Design and specifications are subject to change without notice.

STEREO TURNTABLE SYSTEM

SONY®

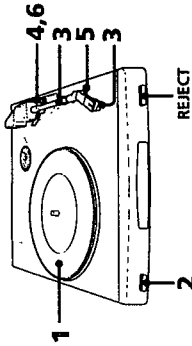


SECTION 1 GENERAL

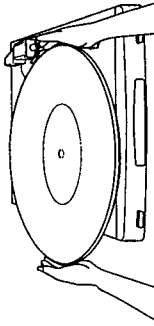
This section is extracted from instruction manual.

Operations

Playing a Record



- 1 Place a record on the platter.



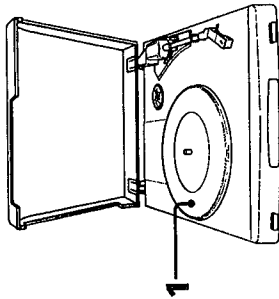
Note

Place only one record on the platter at a time. If two or more records are stacked on the platter, the stylus will not make proper contact with the grooves and the quality of reproduction will be impaired.

- 2 Press **SPEED** to select the speed.
- 3 Remove the protective cover from the cartridge, and release the stopper from the tone arm.
- 4 Set the cueing lever backward.
- 5 Move the tone arm to the desired position over the record.
- 6 Set the cueing lever forward.
The tone arm descends slowly to the record and playback begins.
- 7 Adjust the volume on your amplifier.

Getting Started

Assembling the Turntable



- 1 Place the rubber mat on the platter.
To make sure it operates properly, rotate the platter clockwise once or twice with your hand.

Notes on installation

- Place the turntable on a level surface.
- Avoid placing the unit near electrical appliances (such as a television, hair dryer, or fluorescent lamp) which may cause hum or noise.
- Place the turntable where it will not be subject to any vibration, such as from speakers, slamming of doors, etc.
- Keep the unit away from direct sunlight, extremes of temperature, and excessive dust and moisture.

SAFETY-RELATED COMPONENT WARNING !!

COMPONENTS IDENTIFIED BY MARK Δ OR DOTTED LINE WITH MARK Δ ON THE SCHEMATIC DIAGRAMS AND IN THE PARTS LIST ARE CRITICAL TO SAFE OPERATION. REPLACE THESE COMPONENTS WITH SONY PARTS WHOSE PART NUMBERS APPEAR AS SHOWN IN THIS MANUAL OR IN SUPPLEMENTS PUBLISHED BY SONY.

SECTION 2 EXPLODED VIEWS

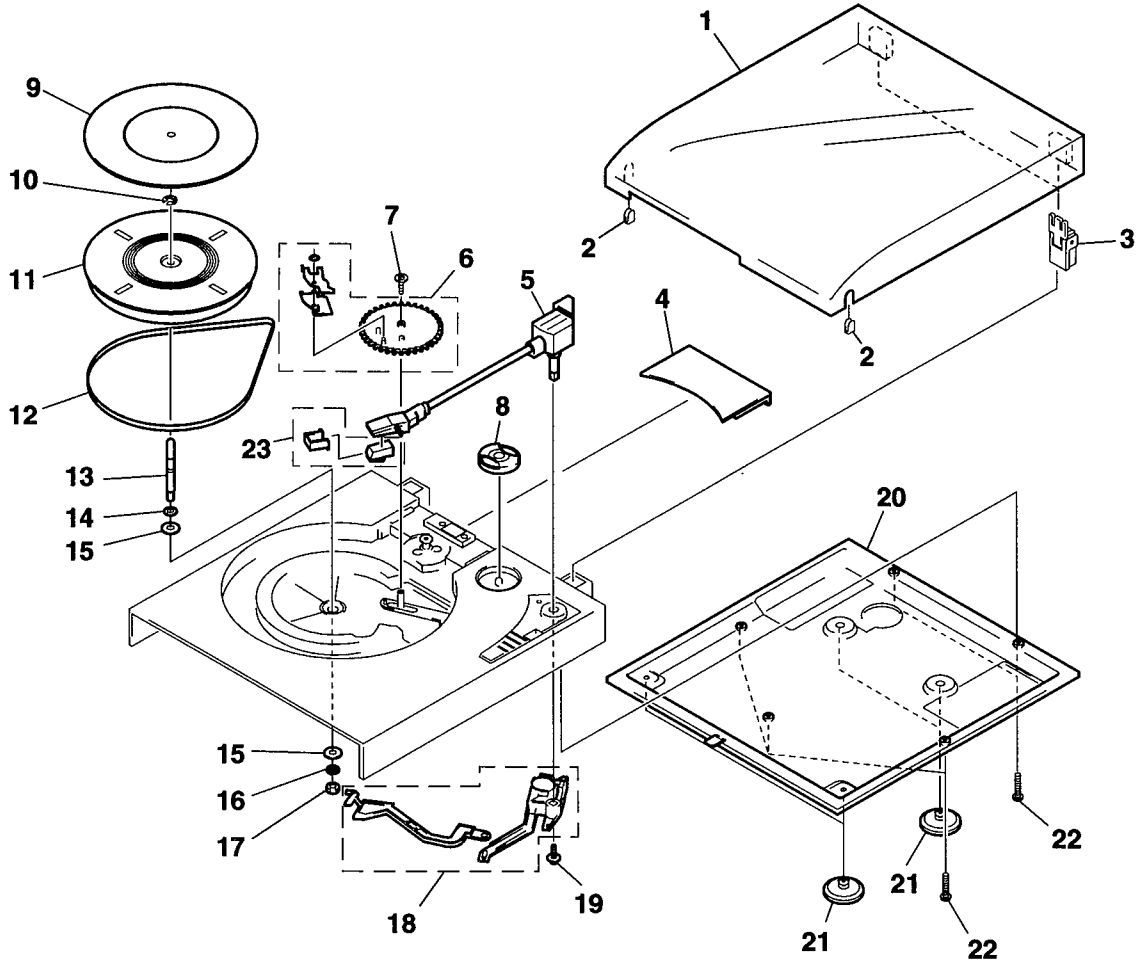
NOTE:

- Items marked "*" are not stocked since they are seldom required for routine service. Some delay should be anticipated when ordering these items.
- The mechanical parts with no reference number in the exploded views are not supplied.

- Hardware (# mark) list and accessories and packing materials are given in the last of this parts list.

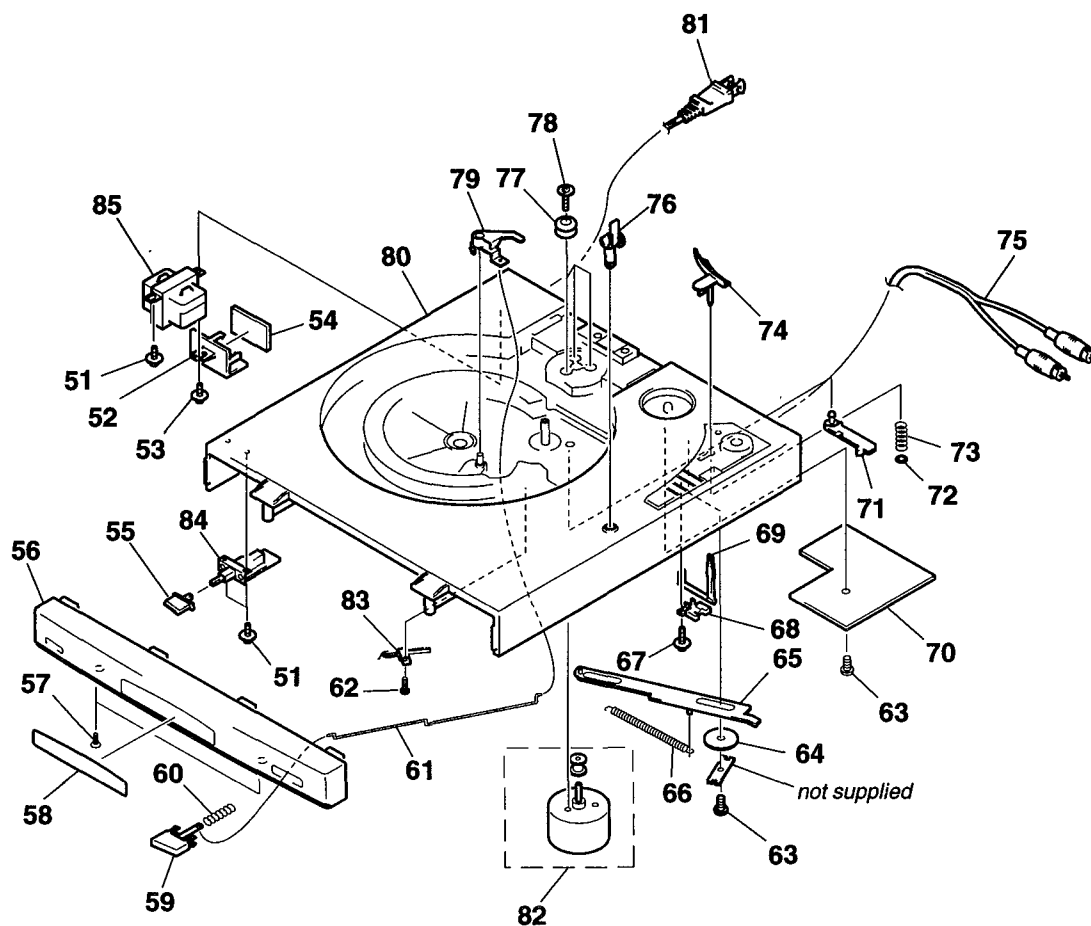
The components identified by mark Δ or dotted line with mark Δ are critical for safety. Replace only with part number specified.

2-1. STEREO TURNTABLE SYSTEM-1



| Ref. No. | Part No. | Description | Remark | Ref. No. | Part No. | Description | Remark |
|----------|--------------|-------------------------|--------|----------|--------------|------------------|--------------|
| 1 | 4-213-962-01 | DUST COVER | | 13 | 4-213-986-01 | SPRING SHAFT | |
| 2 | 4-213-963-01 | DUST COVER STOPPER | | 14 | 4-213-988-01 | WASHER | |
| 3 | 4-213-959-01 | HINGE ASSY | | 15 | 4-213-989-01 | WASHER | |
| 4 | 4-213-966-01 | PLASTIC MOTOR COVER (S) | | 16 | 4-213-992-01 | SPRING WASHER | |
| 5 | 4-213-960-01 | TONE ARM ASSY | | 17 | 4-213-993-01 | NUT | |
| 6 | 4-213-958-01 | SPUR GEAR ASSY | | 18 | 4-213-957-01 | RETURN LINK ASSY | |
| 7 | 4-214-009-01 | SCREW | | 19 | 4-214-004-01 | SCREW | |
| 8 | 4-214-018-01 | ADAPTOR | | * | 20 | 4-213-977-01 | BOTTOM BOARD |
| 9 | 4-214-019-01 | RUBBER MAT | | 21 | 4-213-979-01 | RUBER BASE | |
| 10 | 4-214-003-01 | E RING | | 22 | 4-213-978-01 | SCREW | |
| 11 | 4-213-995-01 | TURNTABLE PLATTER | | 23 | 4-951-290-01 | STYLUS (CN-234) | |
| 12 | 4-213-985-01 | BELT | | | | | |

2-2. STEREO TURNTABLE SYSTEM-2



The components identified by mark Δ or dotted line with mark Δ are critical for safety. Replace only with part number specified.

| Ref. No. | Part No. | Description | Remark | Ref. No. | Part No. | Description | Remark |
|----------|--------------|-------------------------|--------|-------------|--------------|---------------------------------|-------------------------------|
| 51 | 4-213-994-01 | SCREW | | 71 | 4-213-965-01 | PLASTIC RETURN BASE | |
| 52 | 4-213-983-01 | PROTECTOR COVER | | 72 | 4-214-005-01 | 4MM CSB RING | |
| 53 | 4-213-964-01 | SCREW | | 73 | 4-214-006-01 | SPRING | |
| 54 | A-4405-641-A | PRIMARY BOARD, COMPLETE | | 74 | 4-213-967-01 | TONE ARM ELEVATOR | |
| 55 | 4-213-996-01 | KNOB SPEED | | 75 | 1-555-116-11 | CORD, PHONE | |
| 56 | 4-213-997-01 | FRONT PANEL (S) | | 76 | 4-213-956-01 | ARM REST ASSY | |
| 57 | 4-213-999-01 | SCREW | | 77 | 4-213-981-01 | CUSHION MOTOR | |
| 58 | 4-213-998-01 | PC PLATE (F.PANEL) | | 78 | 4-213-980-01 | SCREW | |
| 59 | 4-214-001-01 | KNOB REJECT | | 79 | 4-213-987-01 | WIPPER REJECT | |
| 60 | 4-214-000-01 | SPRING | | * 80 | 4-213-990-01 | MAIN CABINET (S) | |
| 61 | 4-213-991-01 | SPRING | | Δ 81 | 1-575-975-11 | CORD, POWER | |
| 62 | 4-213-974-01 | SCREW | | 82 | A-4405-636-A | MOTOR BOARD, COMPLETE | |
| 63 | 4-213-971-01 | SCREW | | 83 | 1-570-666-11 | SWITCH (LEAF) | |
| 64 | 4-213-975-01 | WASHER | | 84 | 1-771-542-11 | SWITCH, PUSH (1 KEY) | |
| 65 | 4-213-961-01 | LEVER RETURN ASSY | | Δ 85 | 1-433-497-11 | TRANSFORMER, POWER | |
| 66 | 4-213-972-01 | SPRING | | | | ACCESSORIES & PACKING MATERIALS | |
| 67 | 4-214-004-01 | SCREW | | | | ***** | |
| 68 | 4-213-970-01 | CUEING BASE | | | | 3-864-744-11 | MANUAL, INSTRUCTION (ENGLISH) |
| 69 | 4-213-969-01 | LEVER CUEING | | | | 4-214-018-01 | ADAPTOR |
| 70 | A-4405-638-A | PRE AMP BOARD, COMPLETE | | | | 4-214-019-01 | RUBBER MAT |